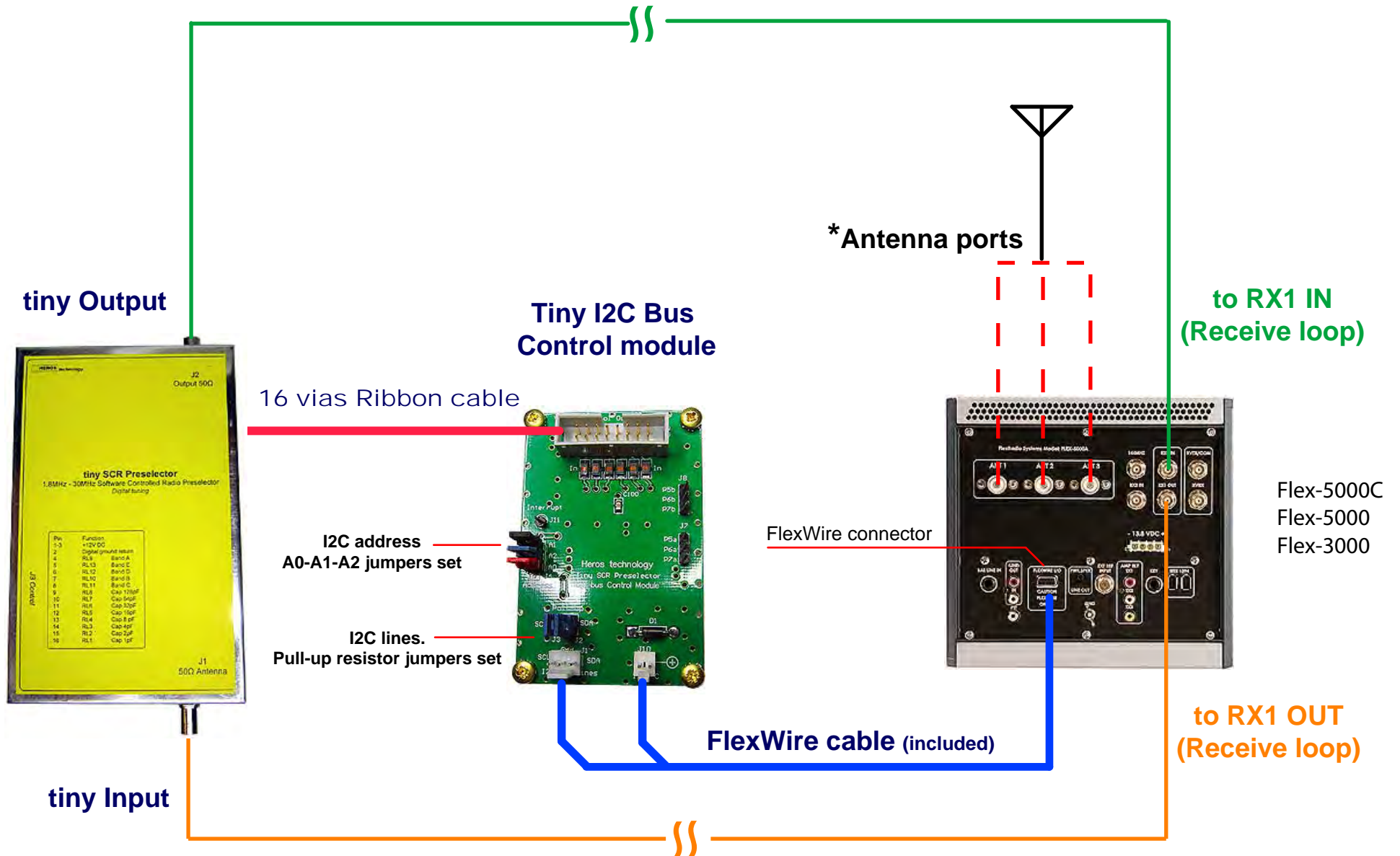


# tiny SCR PRESELECTOR

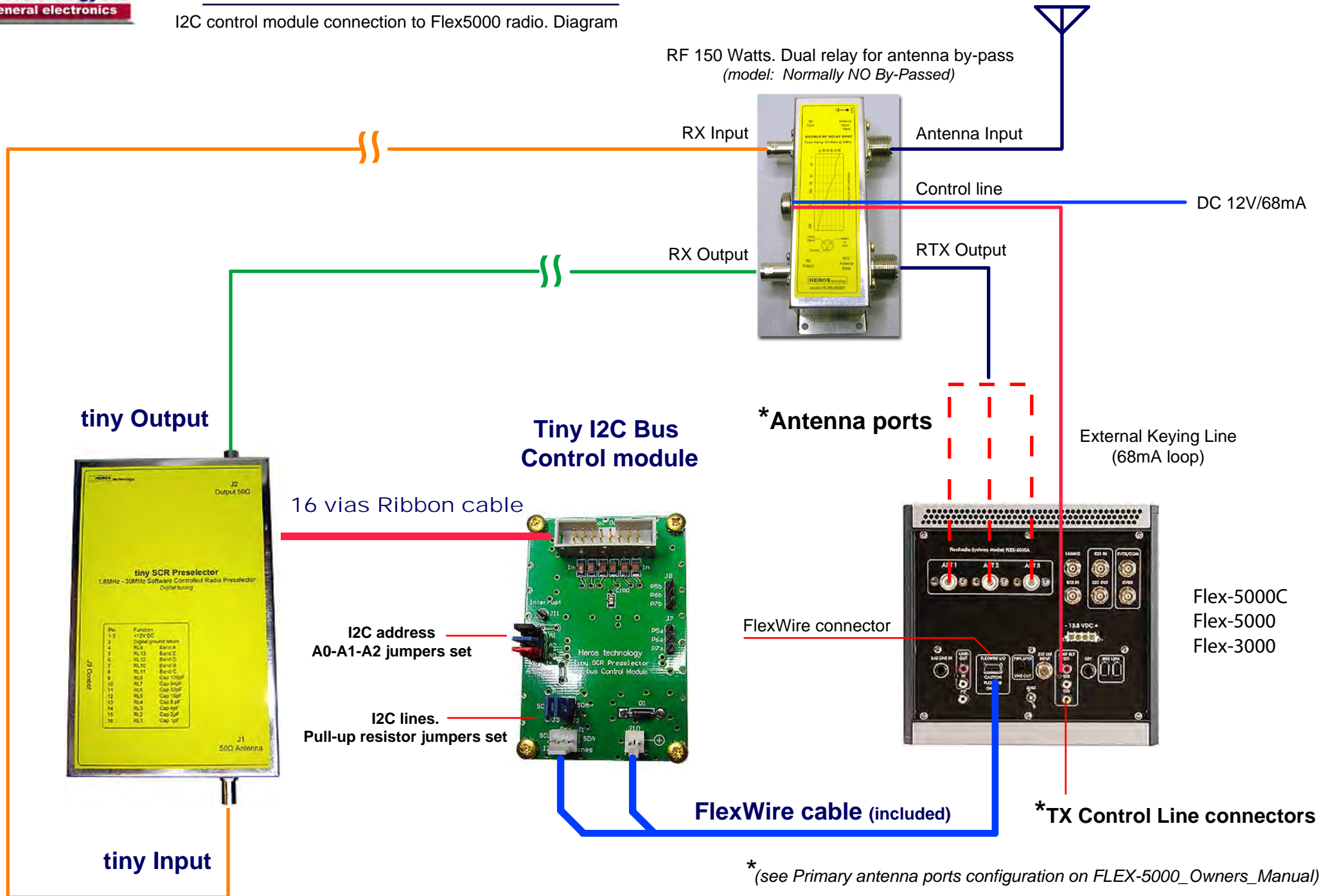
I2C control module connection to Flex5000 radio. Diagram



\* (see Primary antenna ports configuration on FLEX-5000\_Owners\_Manual)

# tiny SCR PRESELECTOR

I2C control module connection to Flex5000 radio. Diagram

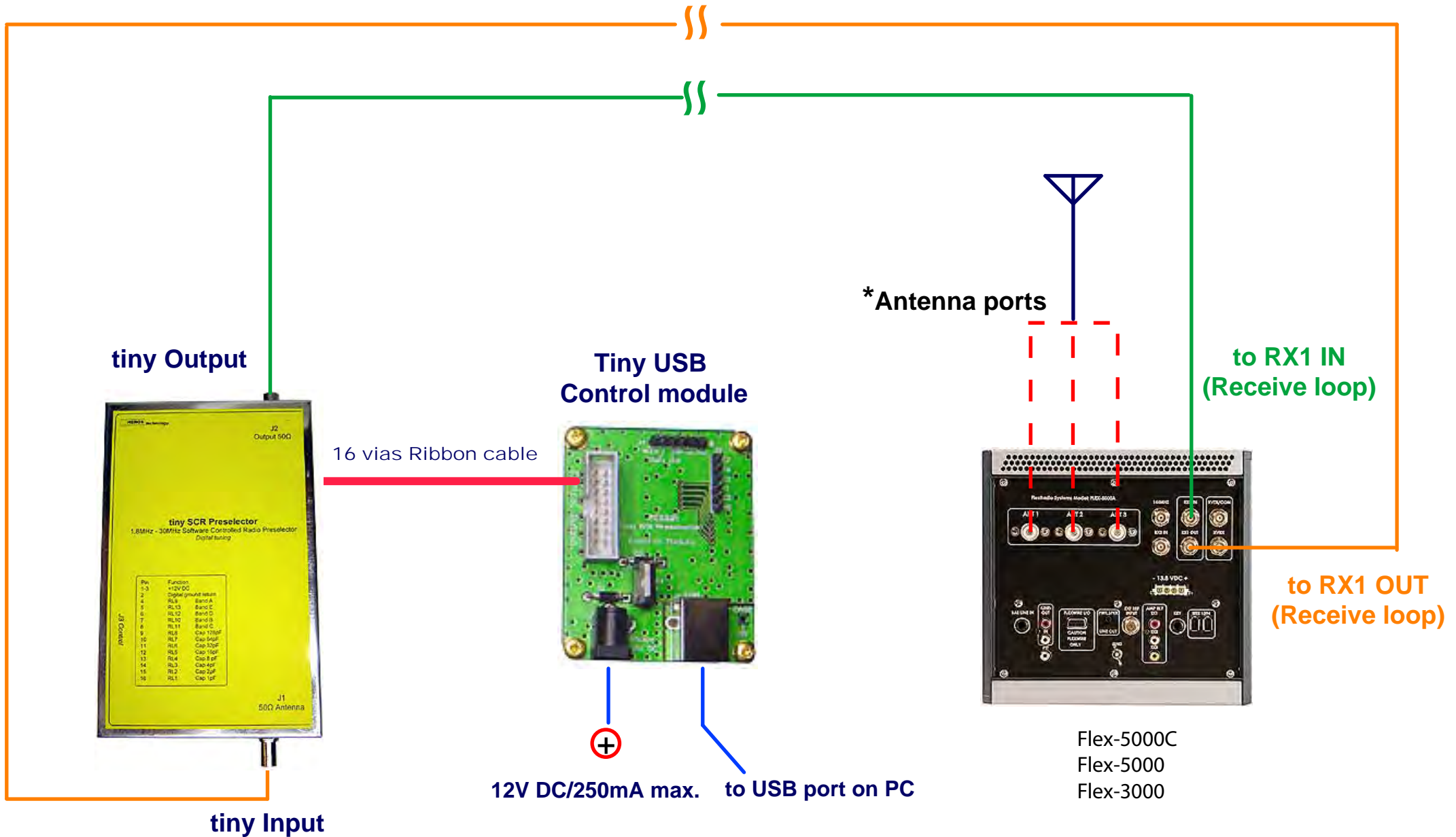


\* (see Primary antenna ports configuration on FLEX-5000\_Owners\_Manual)

\* (see External Keying Lines configuration on FLEX-5000\_Owners\_Manual)

# tiny SCR PRESELECTOR

USB control module connection to Flex5000 radio. Diagram

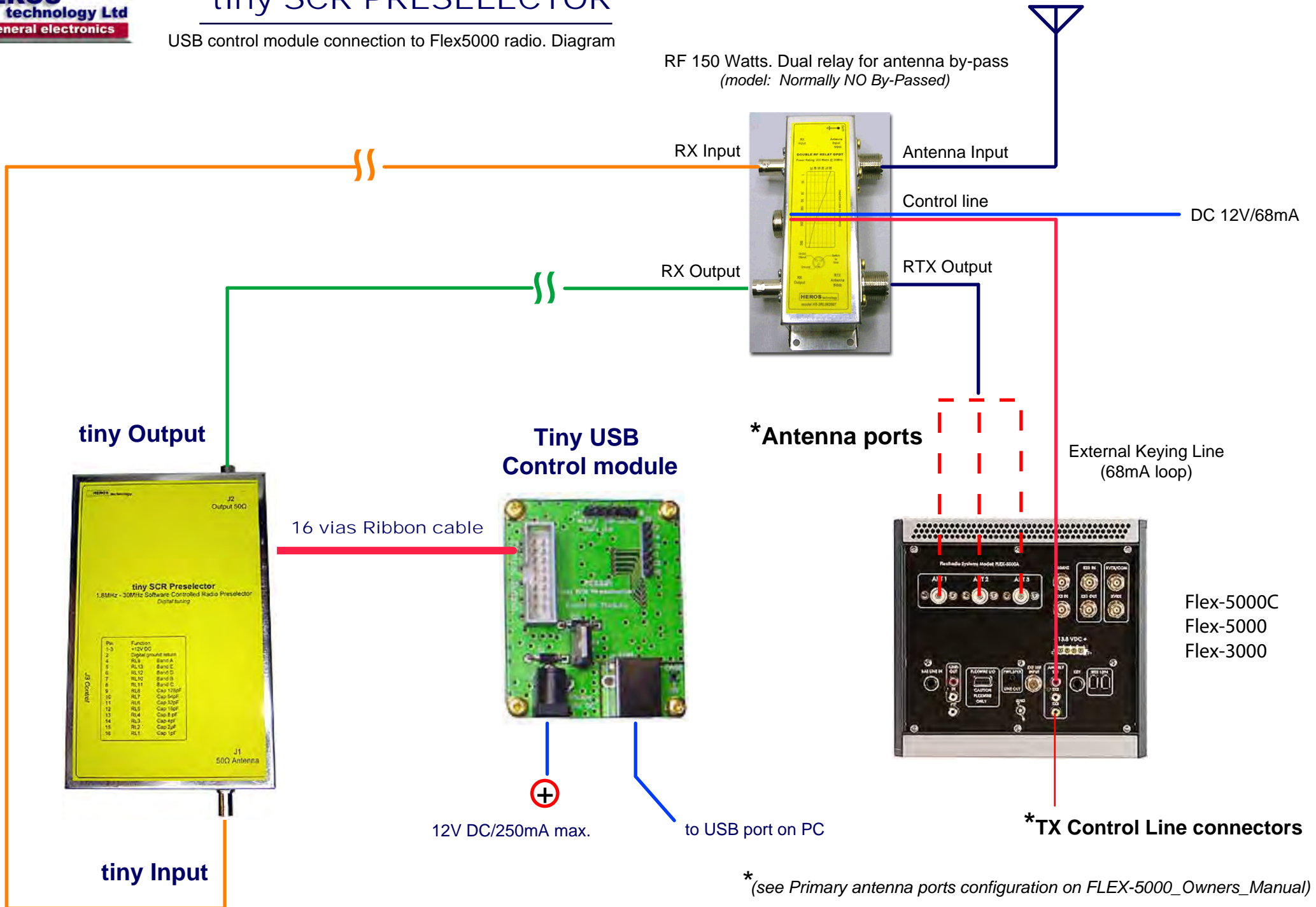


\* (see Primary antenna ports configuration on FLEX-5000\_Owners\_Manual)

# tiny SCR PRESELECTOR

USB control module connection to Flex5000 radio. Diagram

RF 150 Watts. Dual relay for antenna by-pass  
(model: Normally NO By-Passed)



\* (see Primary antenna ports configuration on FLEX-5000\_Owners\_Manual)

\* (see External Keying Lines configuration on FLEX-5000\_Owners\_Manual)